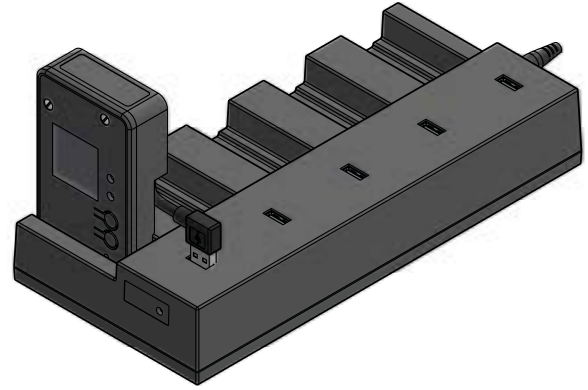


## Charging station

The Controlant charging station is compatible for use with all Controlant real-time data loggers. The charging station can charge up to five real-time data loggers simultaneously. A LED power indicator light displays when the charging station is connected to power.

© Copyright 2021 Controlant hf. All rights reserved. Any disclosure, copying, distribution, posting, or use of the information contained in this document is prohibited.



### Technical specifications

Charging station material	Black matte ABS plastic
Weight	240 g
Length	249 mm (9.8 in.)
Width	119 mm (4.7 in.)
Height	45 mm (1.8 in.)
Input voltage	5V
Input current	5A
Output current	750 mA for each of the 5 USB charging ports
USB connector	Five Type A receptacle connectors (see technical sheet for specifications)
Cable	1 m USB cable (39.4 in.)

### Adapter specifications

Features	Up to 36 W continuous power (DoE Level VI, CoC Tier 2 efficiency). Universal voltage range. Over voltage, over current, and short circuit protections
Certifications and approvals	CE, FCC, ISED
Part number	SMI36-5-V-P6
Output voltage	5V DC

